

PERSYVEX



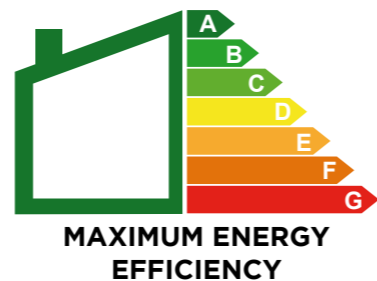
Catalogue

A new **concept** of solar protection

PERSYCOM
www.persycom.com



PERSYVEX



The need to regulate light and heat is driving the adoption of more efficient blinds for energy-efficient buildings.

According to the CALENER and LIDER programs, sunshades enhance energy efficiency, categorizing buildings at a higher energy level.

Furthermore, adjustable blinds with orientable slats maximize solar light entry, providing over 20% heating savings compared to fixed blinds.

Key Features:

- Efficient solar protection and control.
- Vibrant and dynamic facades.
- Solutions for large dimensions.
- High-quality materials resistant to demanding weather conditions.
- Manually or motor-operated adjustable.



Persyvox C80



Persyvox Z90 Microperforated

PERSYVEX Z70 BLACKOUT



Maximum darkness
Minimum space

San Roque (Cádiz)



**Best
darkness**



PERSYVEX Z90 BLACKOUT



Prevents **sunlight** from entering through the sides of the guides and through the holes in the lifting system.

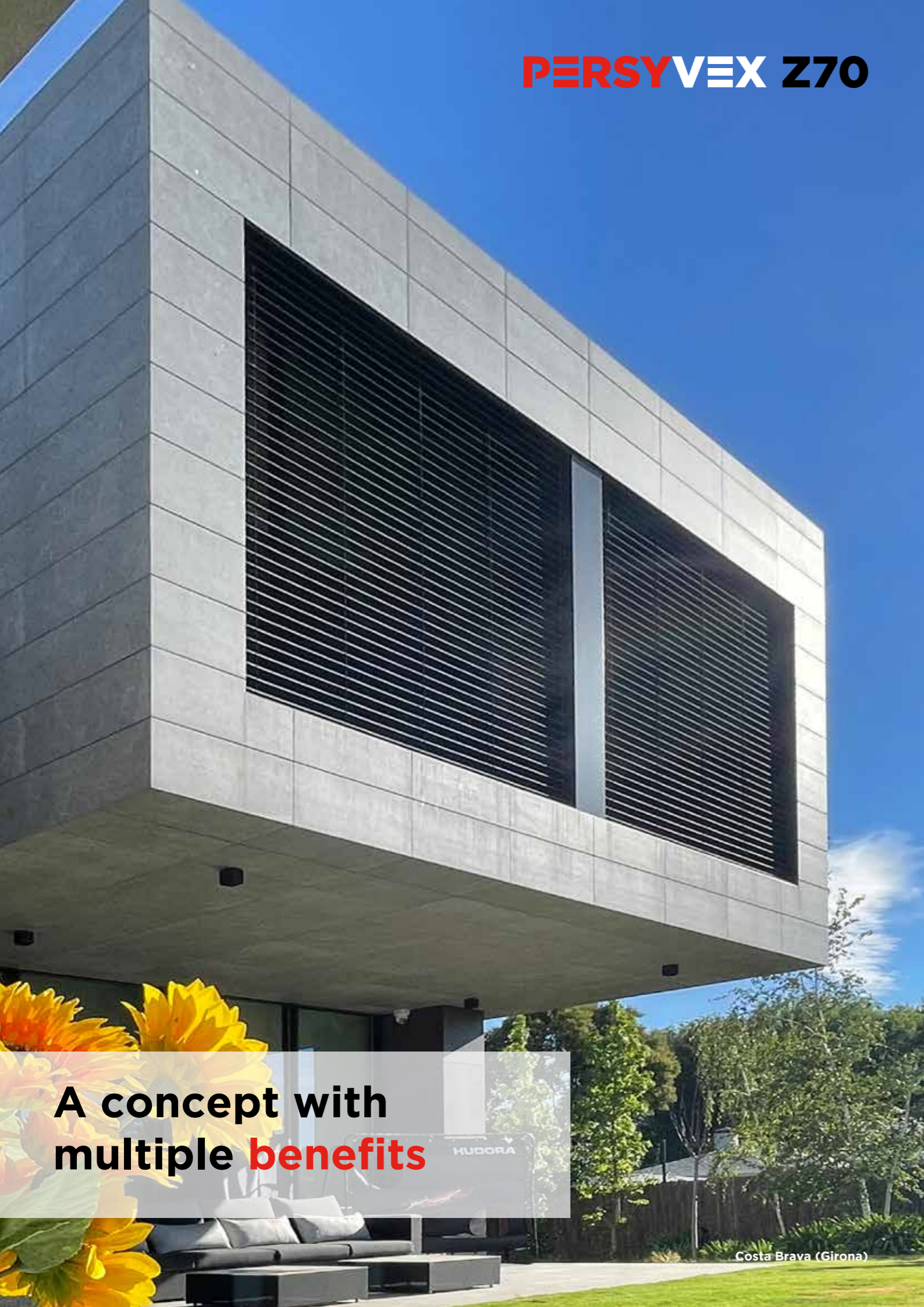
Villaviciosa de Odón (Madrid)



**Best
darkness**



PERSYVEX Z70



A concept with multiple **benefits**

HUDORA

Costa Brava (Girona)



House & Building



PERSYVEX Z90



A new **concept** of solar protection

Denia (Alicante)



House & Building



PERSYVEX C80



**Solutions tailored to
your well-being**

Airbus - Toulouse (Francia)



Building & House



Maximum energy efficiency

Maximum energy efficiency with Persyvex minimizes window-related energy loss, leading to significant heating and cooling savings.

Distinct quality

Like all our products, Persyvex adheres to high-quality standards. Through rigorous testing, our customers can be assured they are purchasing a product with optimal performance.

	Key features	< 2,0 m	2,0 - 4,0 m	4,0 - 4,5 m
C80	Wind classification	4	3	2
	Maximum wind speed (km/h)	61	49	38

	Key features	< 2,0 m	2,0 - 4,0 m	4,0 - 4,5 m
Z70	Wind classification	6	4	3
	Maximum wind speed (km/h)	88	61	49

	Key features	< 2,0 m	2,0 - 4,0 m	4,0 - 4,5 m
Z90	Wind classification	6	4	3
	Maximum wind speed (km/h)	88	61	49

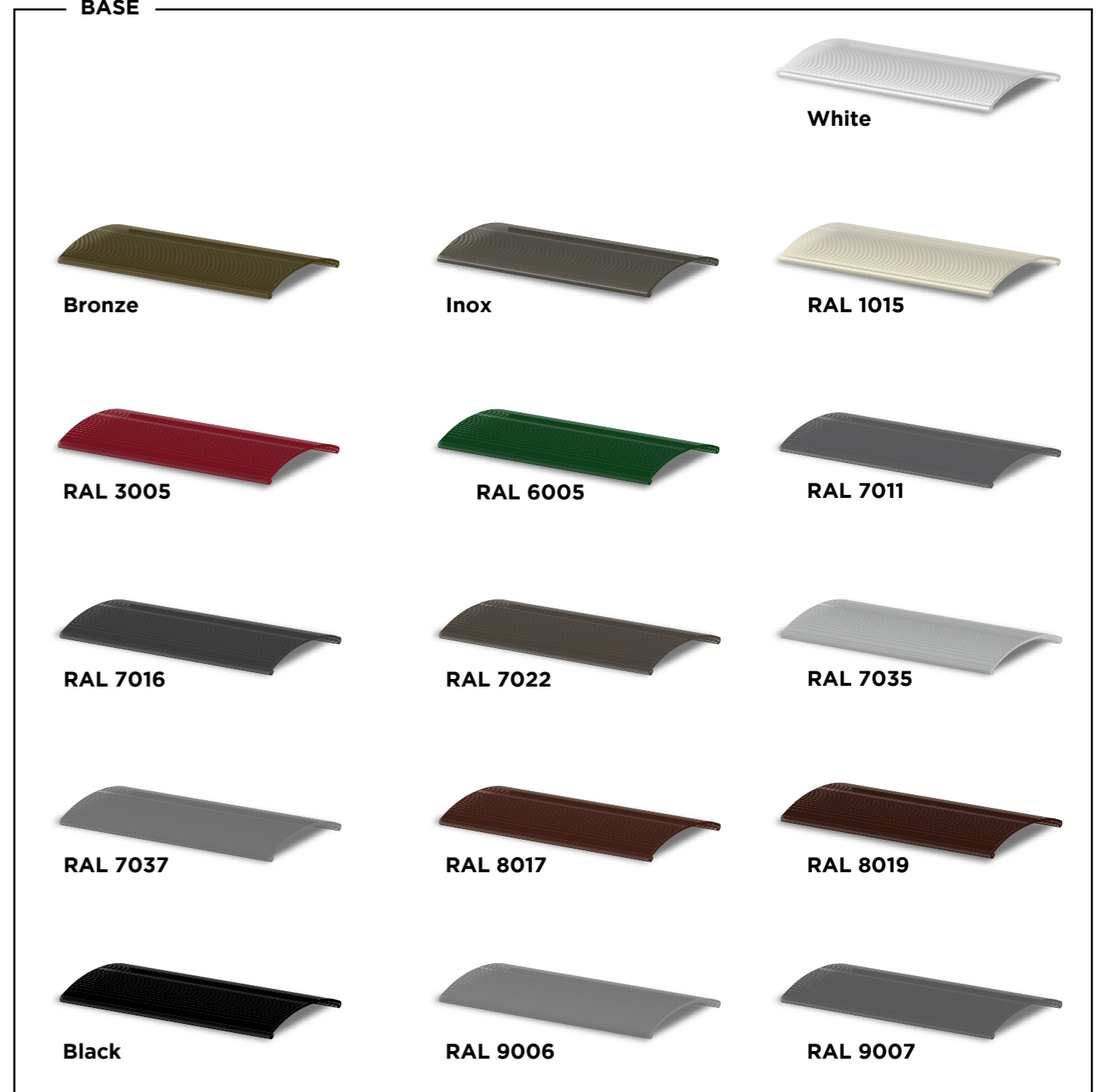
According to standards:

UNE-EN 1932:2014
UNE-EN 13659:2004+A1:2009
UNE-EN 13659:2016



Available colors

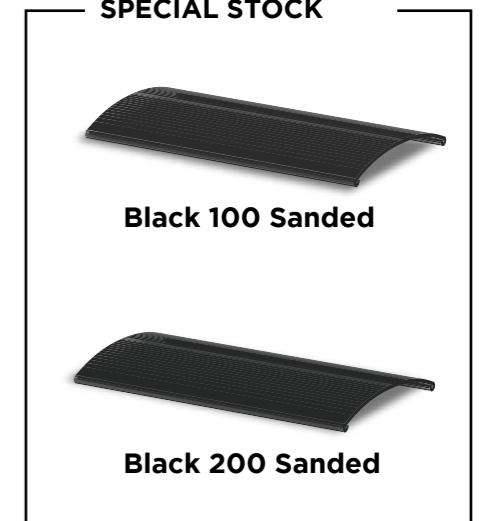
BASE



WOOD



SPECIAL STOCK



The colors shown in this document are indicative. Please consult us or request a sample.



Light and Comfort:

Clients opt for adjustable slat sunshades for both aesthetics and comfort. These slats regulate light, ensuring a comfortable interior throughout the year.



Added Value to the Home:



Adjustable slats regulate light in every space, ensuring a comfortable interior year-round.

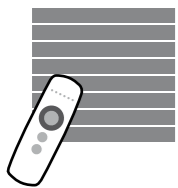
Design Lines:



Clean lines combined with various finishes enhance the building's appearance and highlight the exterior design.

Ready for Home Automation:

Combining with automation makes our facade lively and dynamic, optimizing energy usage.

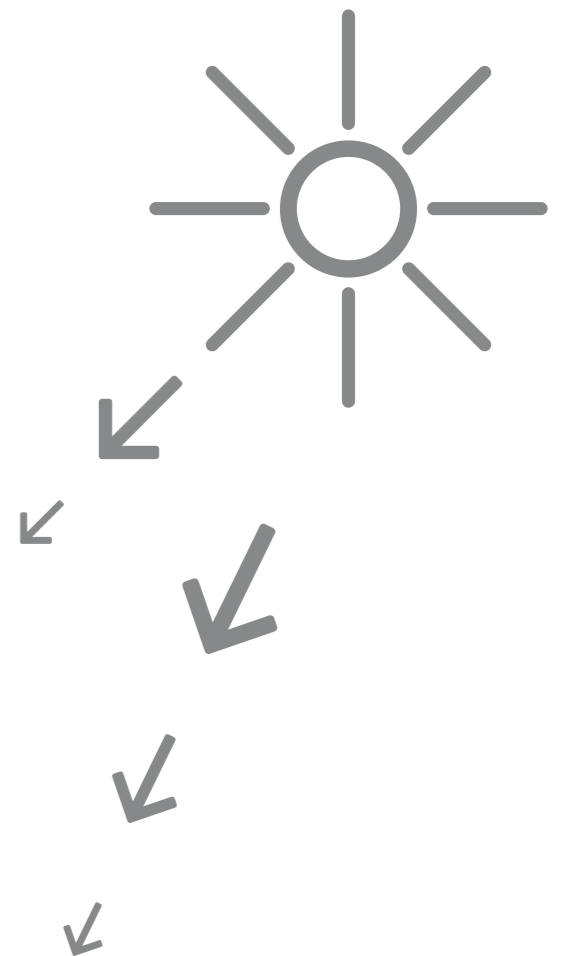
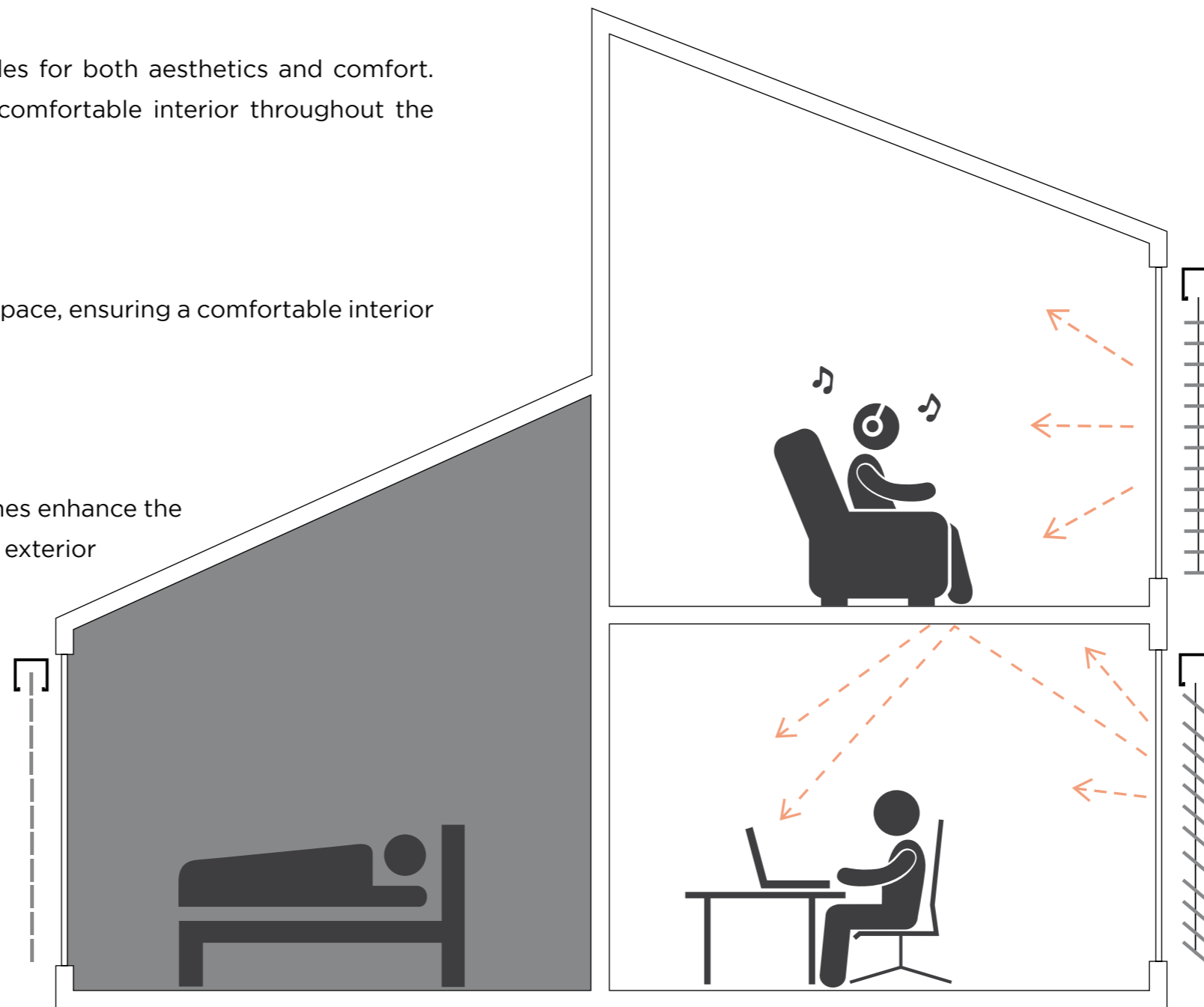


Customizable Finishes:

Persyvex caters to client needs with a range of finishes, including bi-color, solid colors, or wood imitations.



Additionally, the C80, Z70, and Z90 models come in various microperforated colors.



Light distribution:

Persyvex allows the slats to be adjusted to the desired angle, bringing the light reflection upwards into the room.

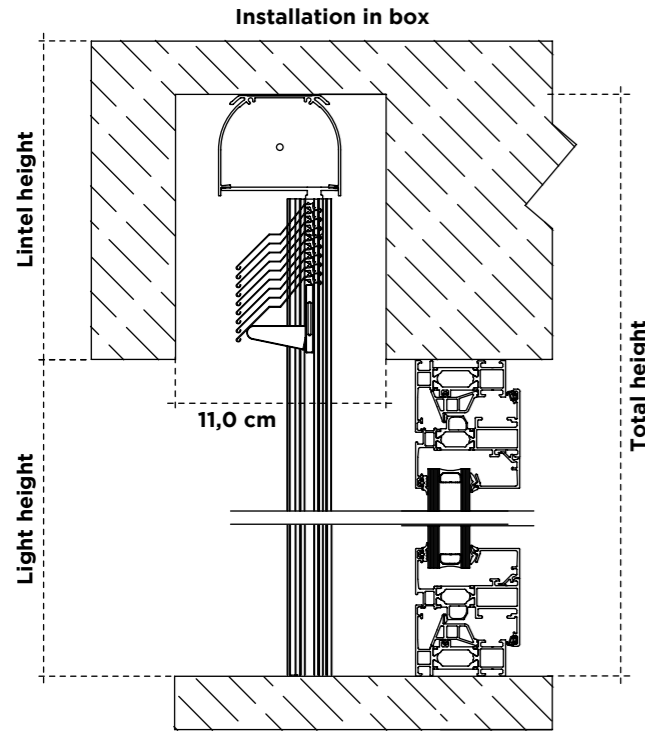
Reduced glare:

Reduces eyestrain by reducing glare in all features.

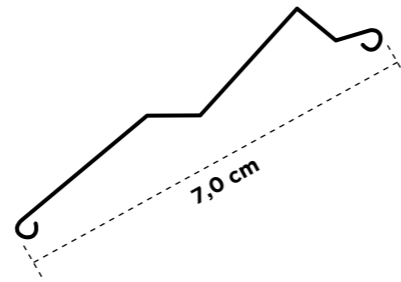
Light input:

Allows you to adjust the desired amount of light in each room.

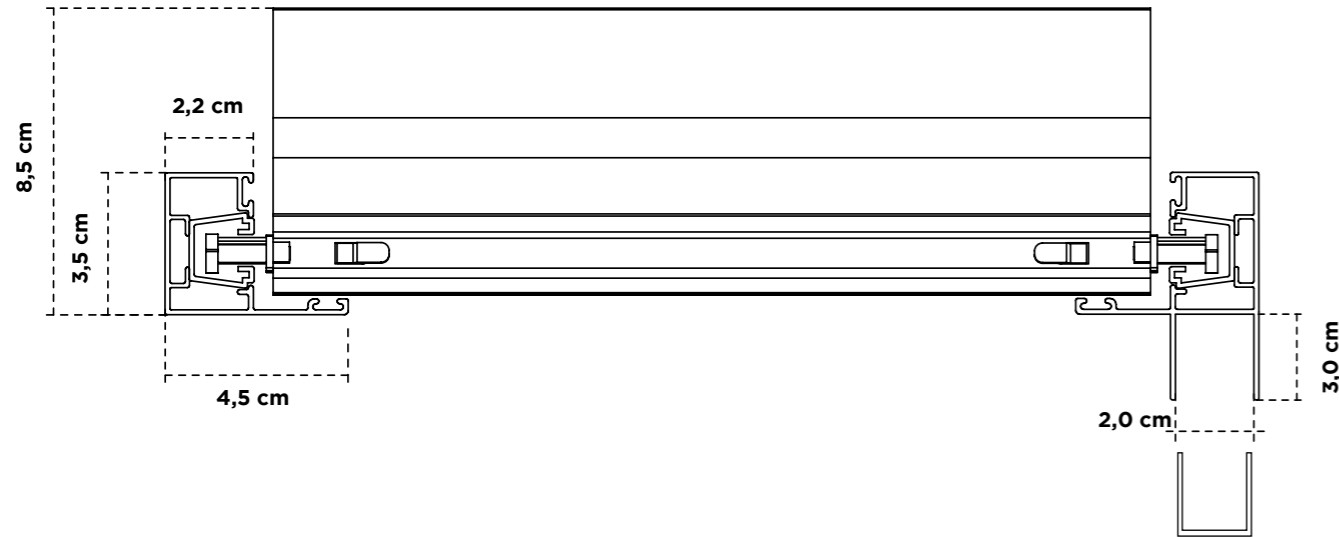
PERSYVEX Z70 BLACKOUT



Operation	Motor
Minimum width (cm)	50
Maximum width (cm)	400
Maximum height (cm)	350
Approximate ventilation area Z70(%)	85
Approximate ventilation area Z90(%)	90
Profiled aluminium. Alloy 3105H18	



Plan



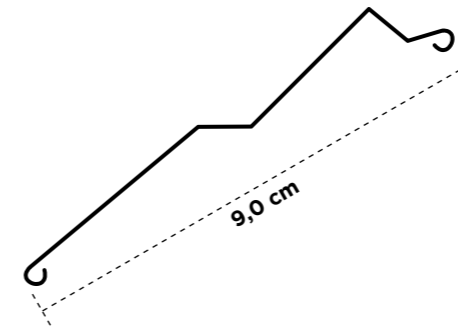
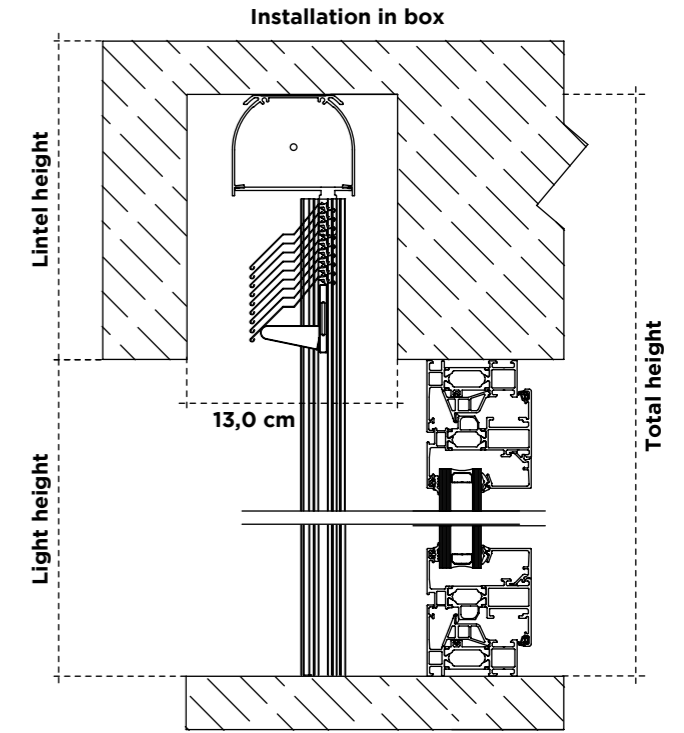
Stacking table

Total height	80	100	120	140	160	180	200	220	240	260	280	300	320	340	360	380	400	420	440	450
Tubular	22	22	24	26	27	29	31	32	33	34	35	36	37	39	40	41	42	43	44	45,5

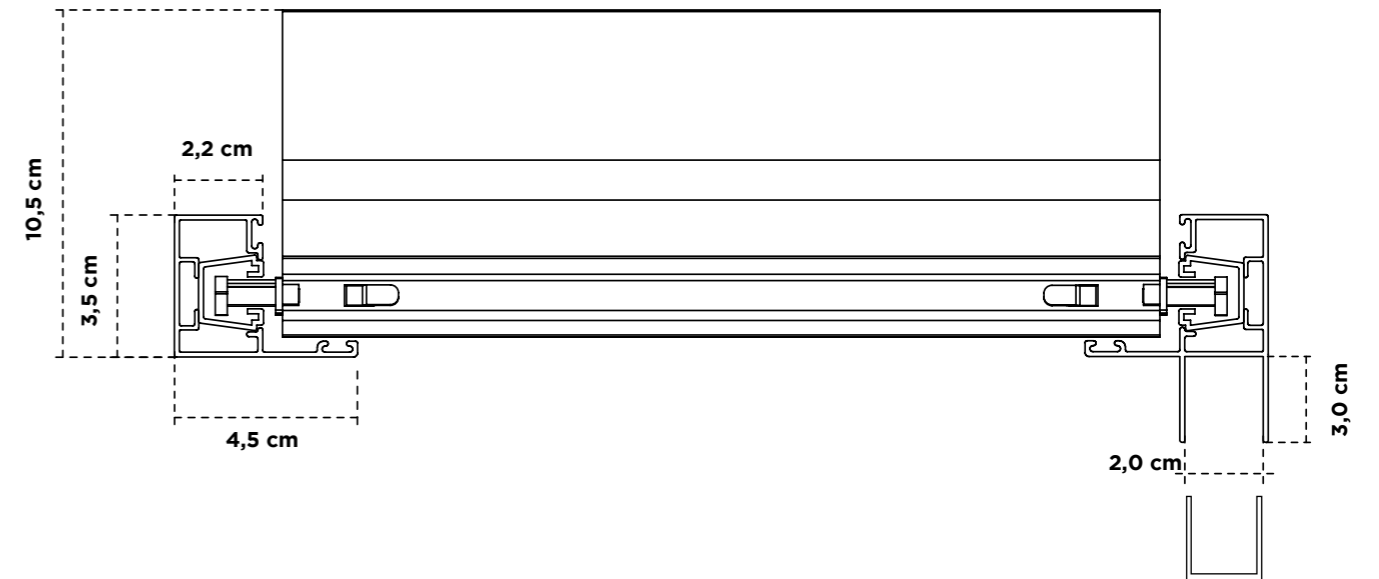
Dimensions in cm

PERSYVEX Z90 BLACKOUT

	< 2,0 m	2,0 - 4,0 m	4,0 - 4,5 m
Wind resistance	6	4	3
Maximum wind speed (km/h)	88	61	49
According to standards: UNE-EN 1932:2014 UNE-EN 13659:2004+A1:2009 UNE-EN 13659:2016			



Plan

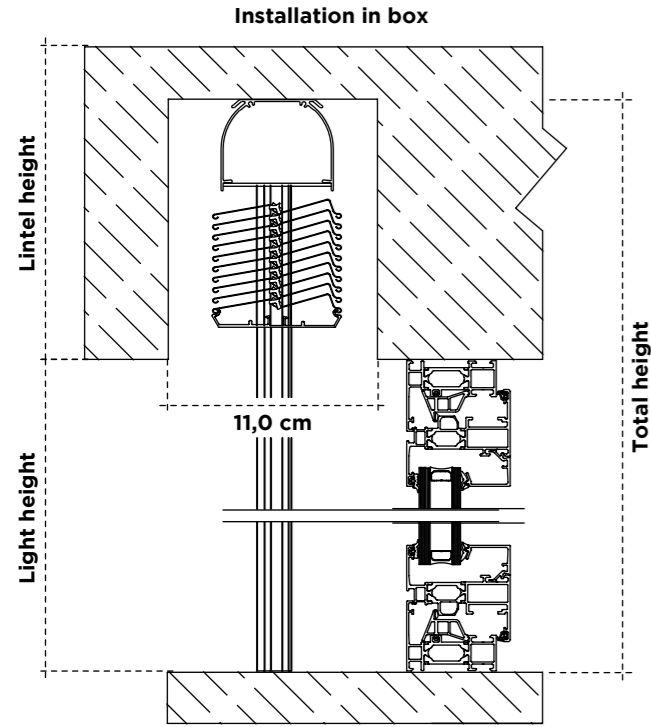


Stacking table

Total height	80	100	120	140	160	180	200	220	240	260	280	300	320	340	360	380	400	420	440	450
Tubular	21	22	22	24	25	26	27	29	30	31	32	32	33	34	35	37	38	39	40	40

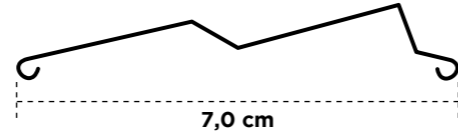
Dimensions in cm

PERSYVEX Z70

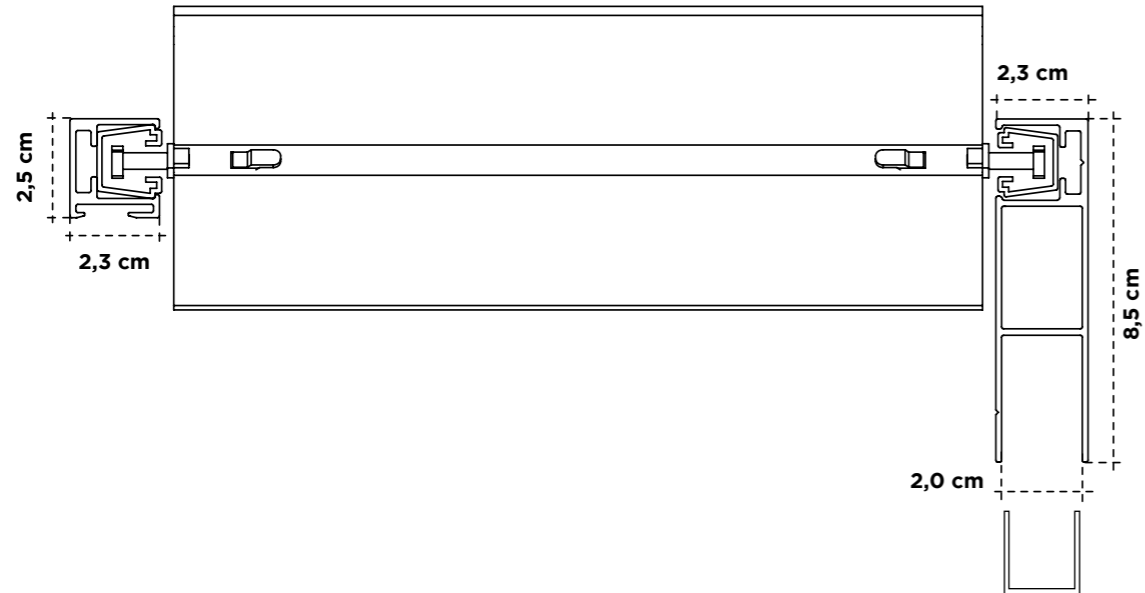


Operation	Motor
Minimum width (cm)	45
Maximum width (cm)	450
Maximum height (cm)	450
Maximum area (m ²)	16
Approximate ventilation area Z70(%)	85
Approximate ventilation area Z90(%)	90
Profiled aluminium. Alloy 3105H18	

* For widths of 3 metres and over, we recommend a steel cable in the centre.



Plan



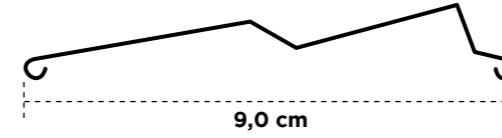
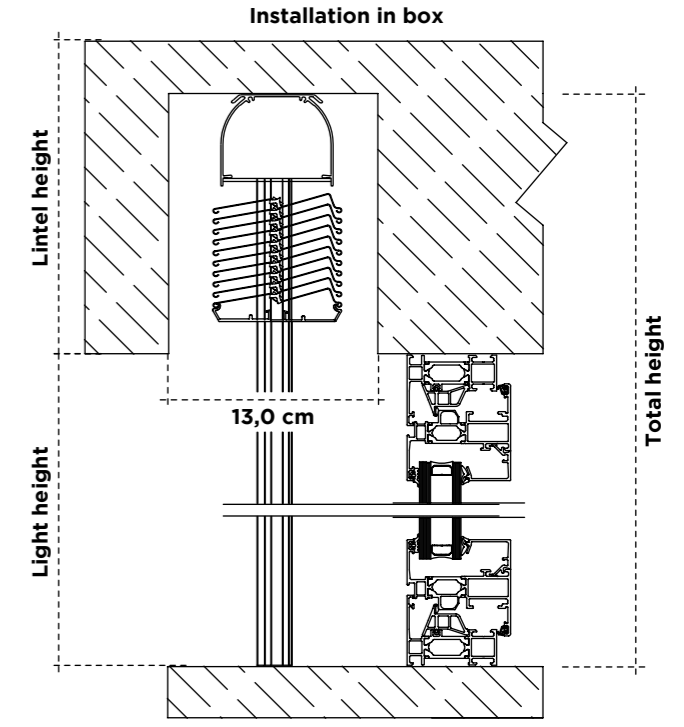
Stacking table

Total height	80	100	120	140	160	180	200	220	240	260	280	300	320	340	360	380	400	420	440	450
Tubular	18	18	19	21	21	22	23	24	25	26	27	28	29	30	32	32,5	33	35	36	37

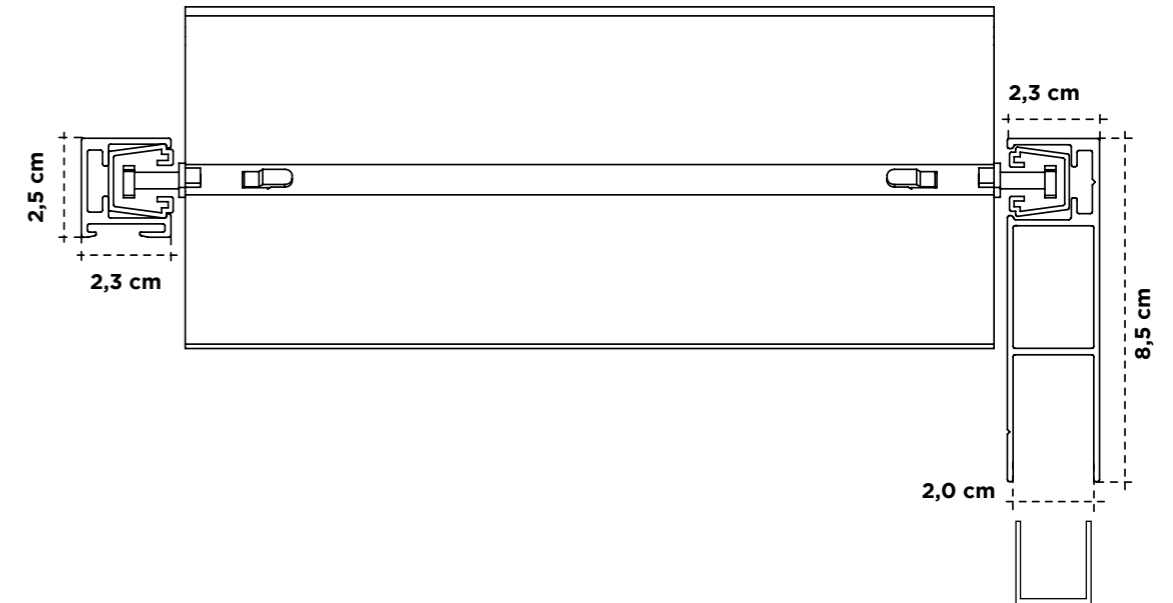
Dimensions in cm

PERSYVEX Z90

	< 2,0 m	2,0 - 4,0 m	4,0 - 4,5 m
Wind resistance	6	4	3
Maximum wind speed (km/h)	88	61	49
According to standards: UNE-EN 1932:2014 UNE-EN 13659:2004+A1:2009 UNE-EN 13659:2016			



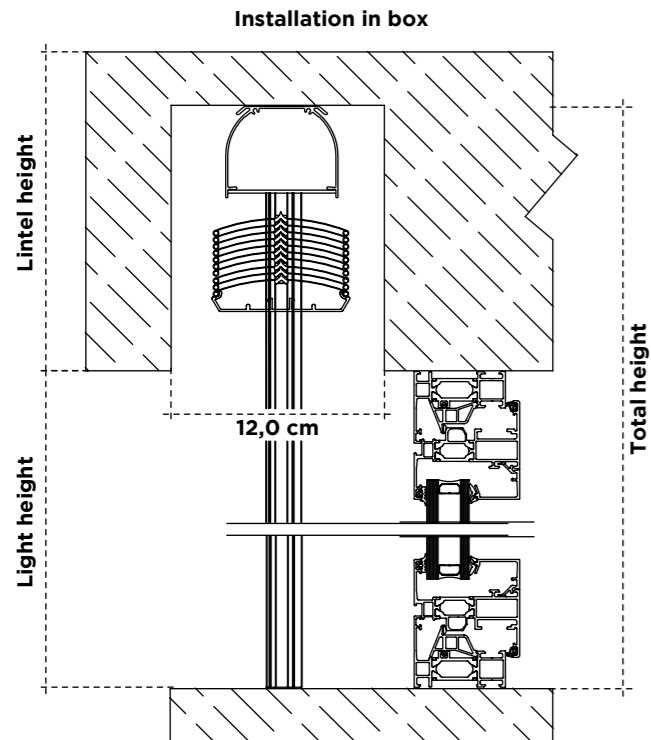
Plan



Stacking table

Total height	80	100	120	140	160	180	200	220	240	260	280	300	320	340	360	380	400	420	440	460
Tubular	16	18	18	20	20	21	21	23	23	24	24	26	26	27	27	29	29	30	30	32

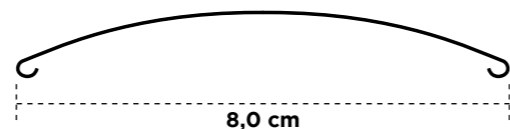
Dimensions in cm



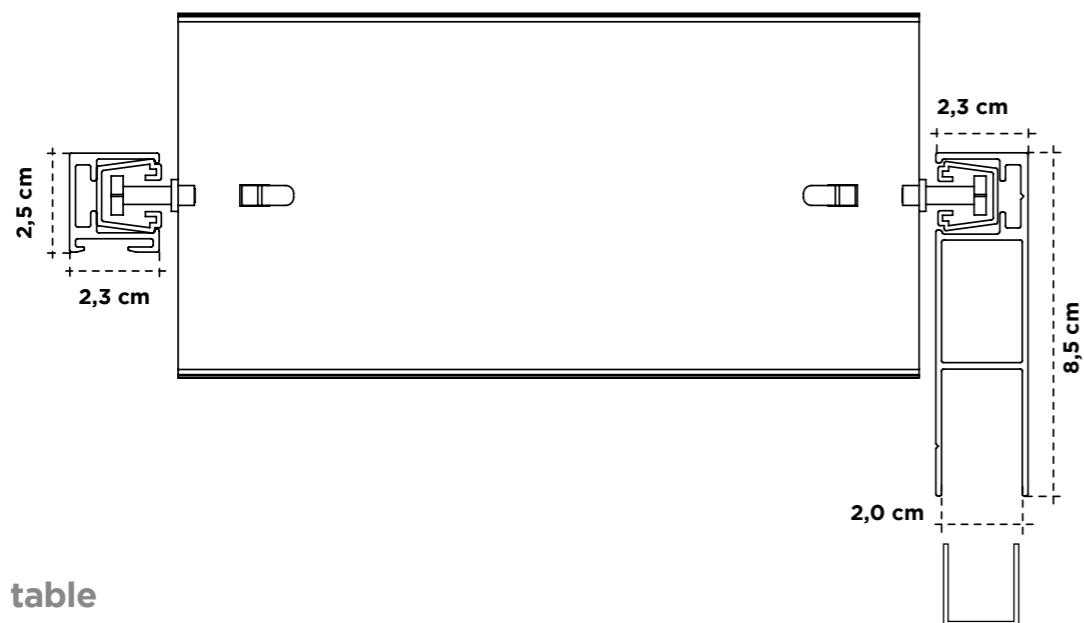
Operation	Motor
Minimum width (cm)	45
Maximum width (cm)	450
Maximum height (cm)	450
Maximum area (m ²)	16
Approximate ventilation area (%)	85
Profiled aluminium. Alloy 3105H18	

* For widths of 3 metres and over, we recommend a steel cable in the centre.

	< 2,0 m	2,0 - 4,0 m	4,0 - 4,5 m
Wind resistance	4	3	2
Maximum wind speed (km/h)	61	49	38
According to standards: UNE-EN 1932:2014 UNE-EN 13659:2004+A1:2009 UNE-EN 13659:2016			



Plan



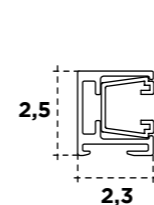
Stacking table

Total height	80	100	120	140	160	180	200	220	240	260	280	300	320	340	360	380	400	420	440	460
Tubular	17	18	20	21	23	24	25	27	28	30	31	32	34	35	37	38	39	41	42	44

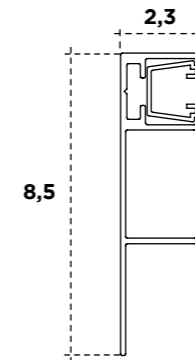
Dimensions in cm

Compatible guides

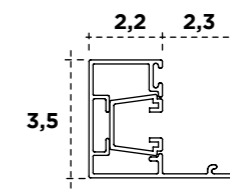
Self-supporting
25 x 25 mm



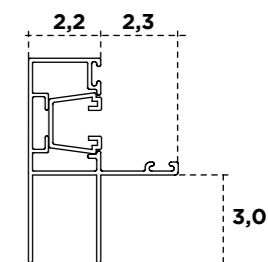
Monoblock 85 x 23
mm



Blackout

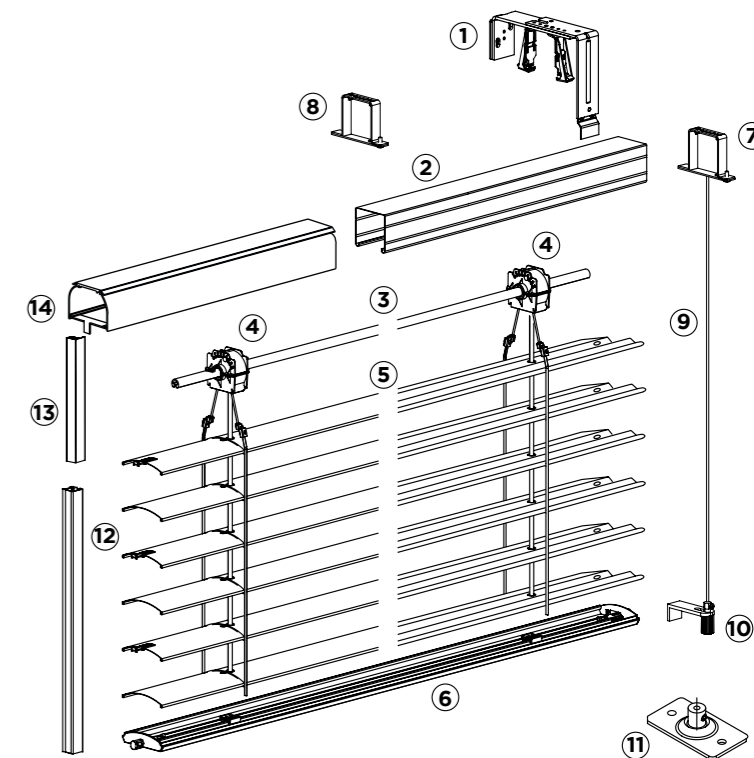


Monoblock Blackout



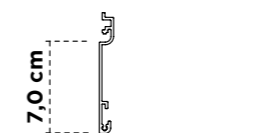
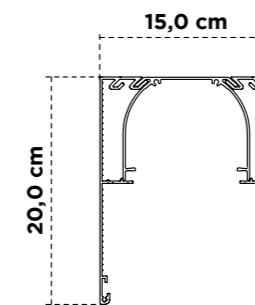
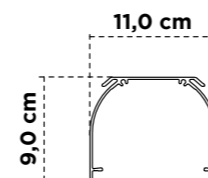
Exploded

1. Automatic cover support
2. Head
3. Shaft
4. Variator
5. Slat
6. Terminal
7. Cable head support
8. Standard Support
9. Cable
10. Cable wall support
11. Floor cable support
12. Guide
13. Self-supporting guide
14. Self-supporting head



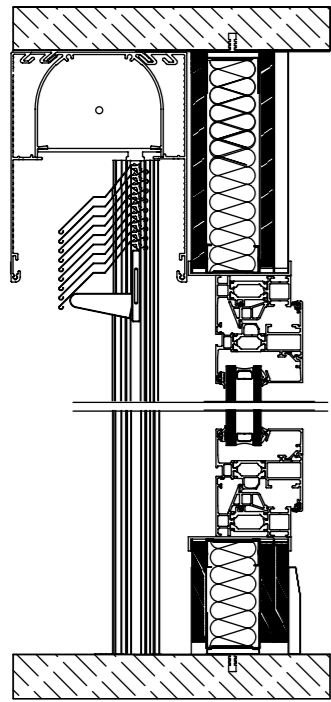
COVER

TUBULAR MOTOR

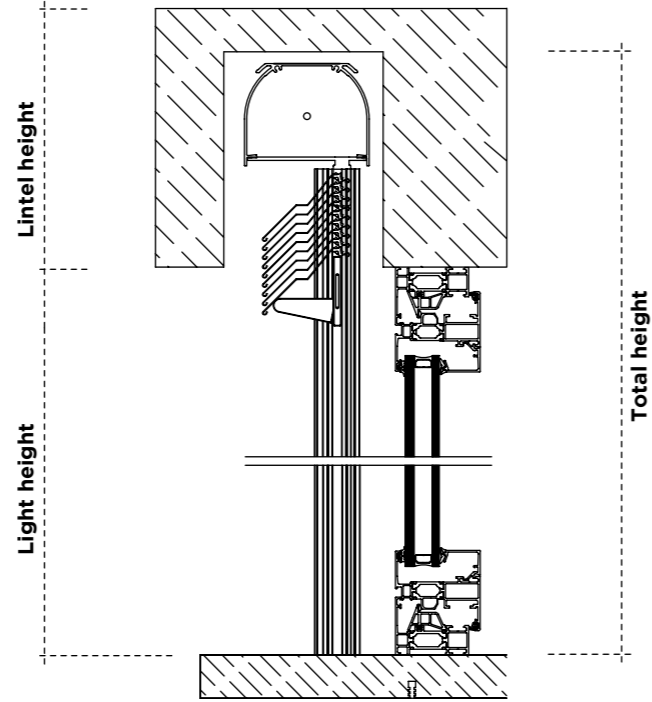


Other installation options

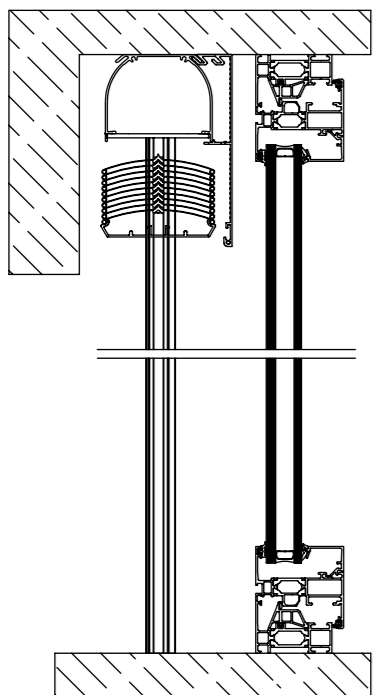
Blackout installation exterior view



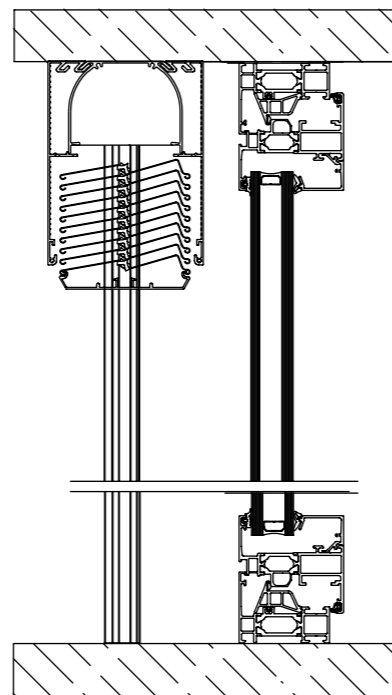
Installation in niche



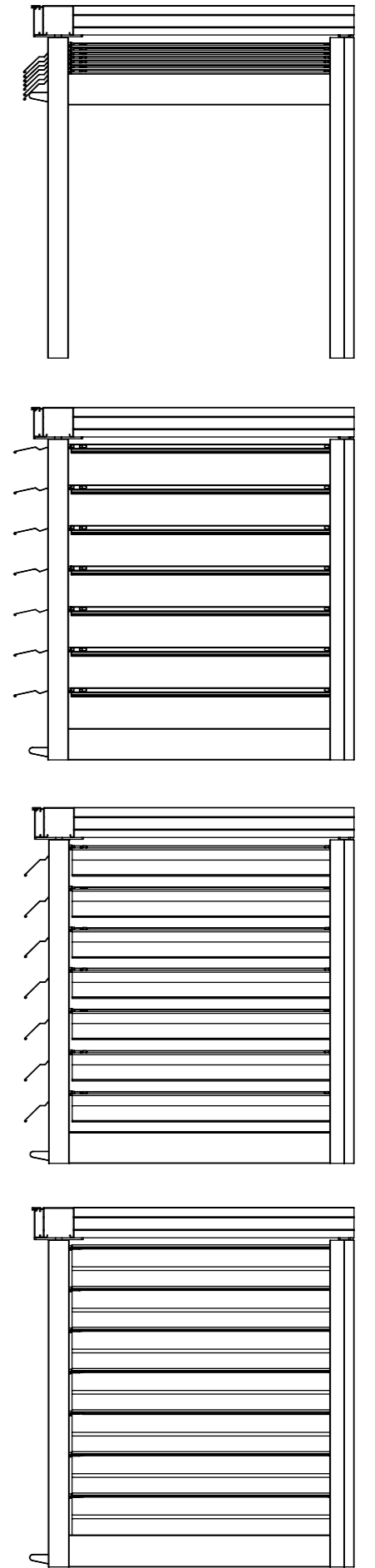
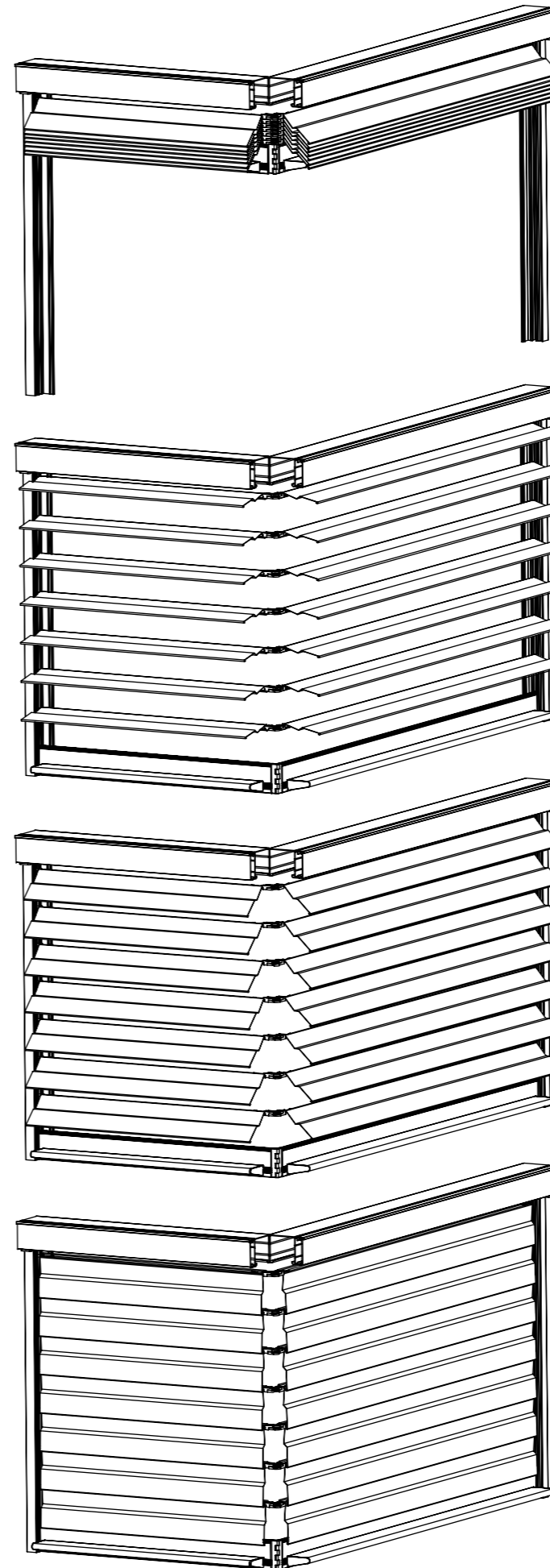
Installation C80 external front internal folding wall



Forged to forged installation roof-to-floor window

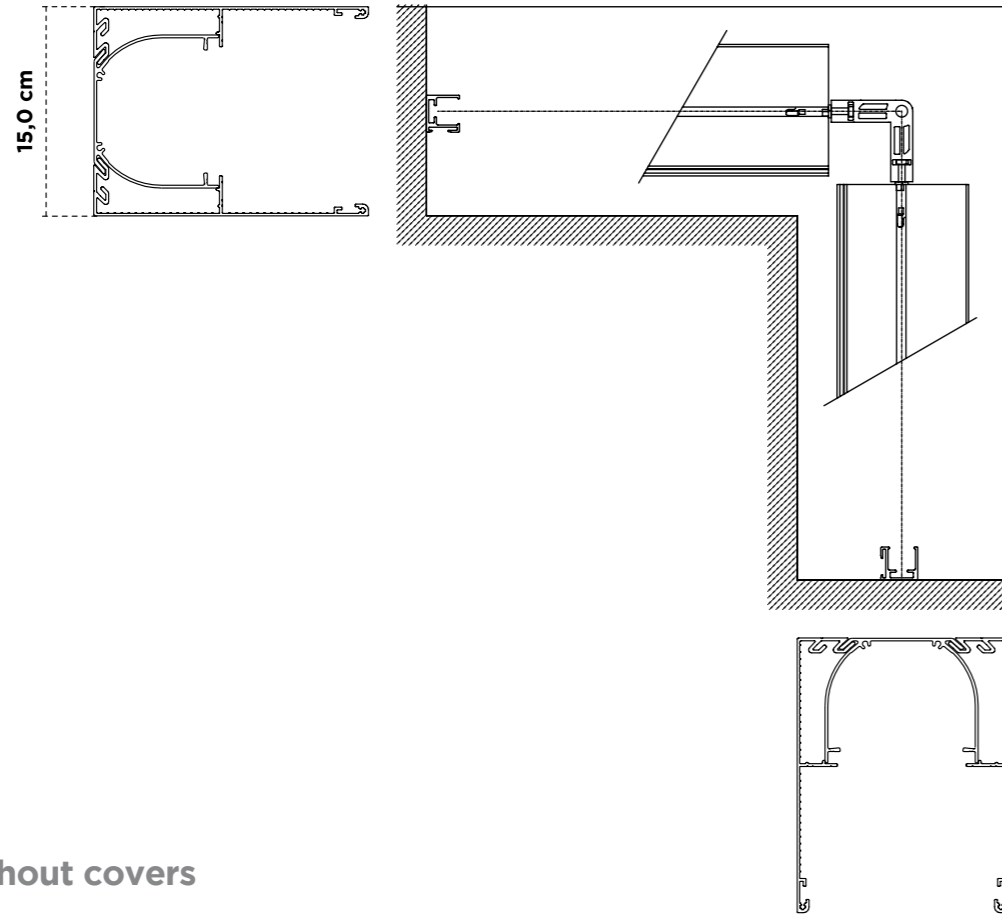


Square Persyvex
Two blinds moved by a single motor



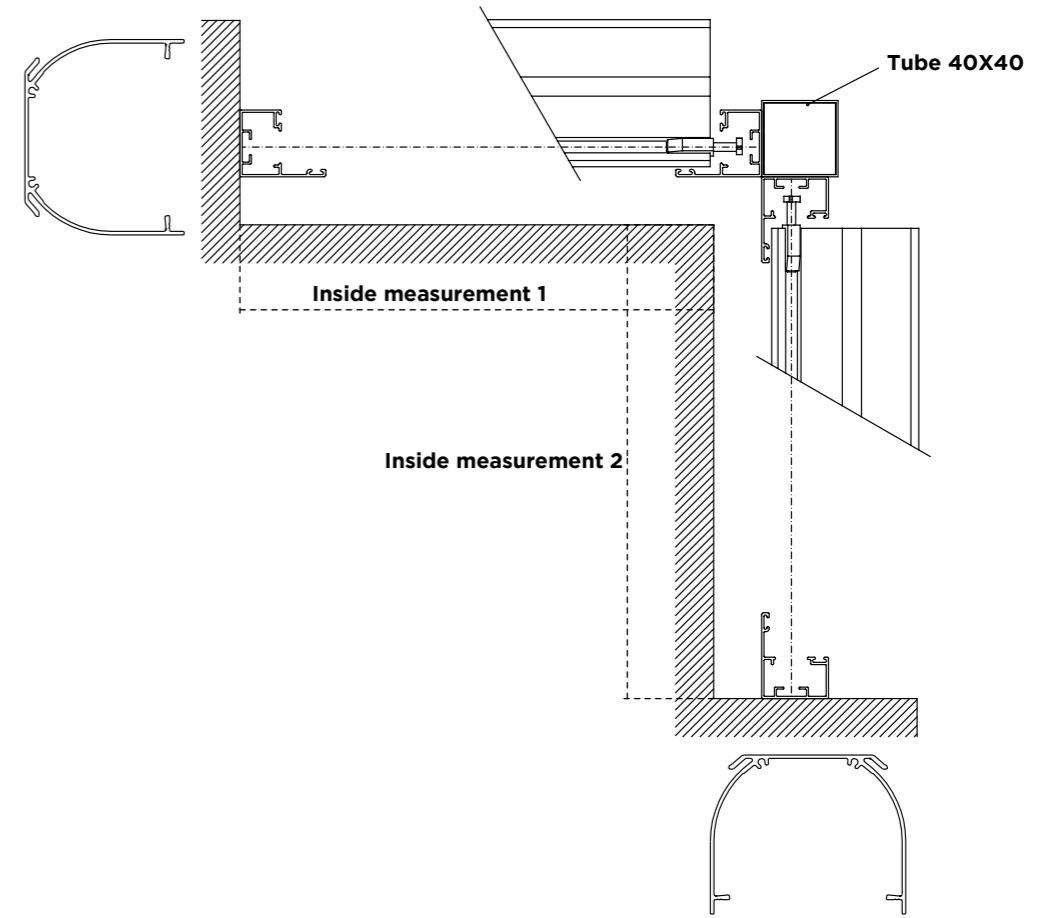
Square with covers

Z-90



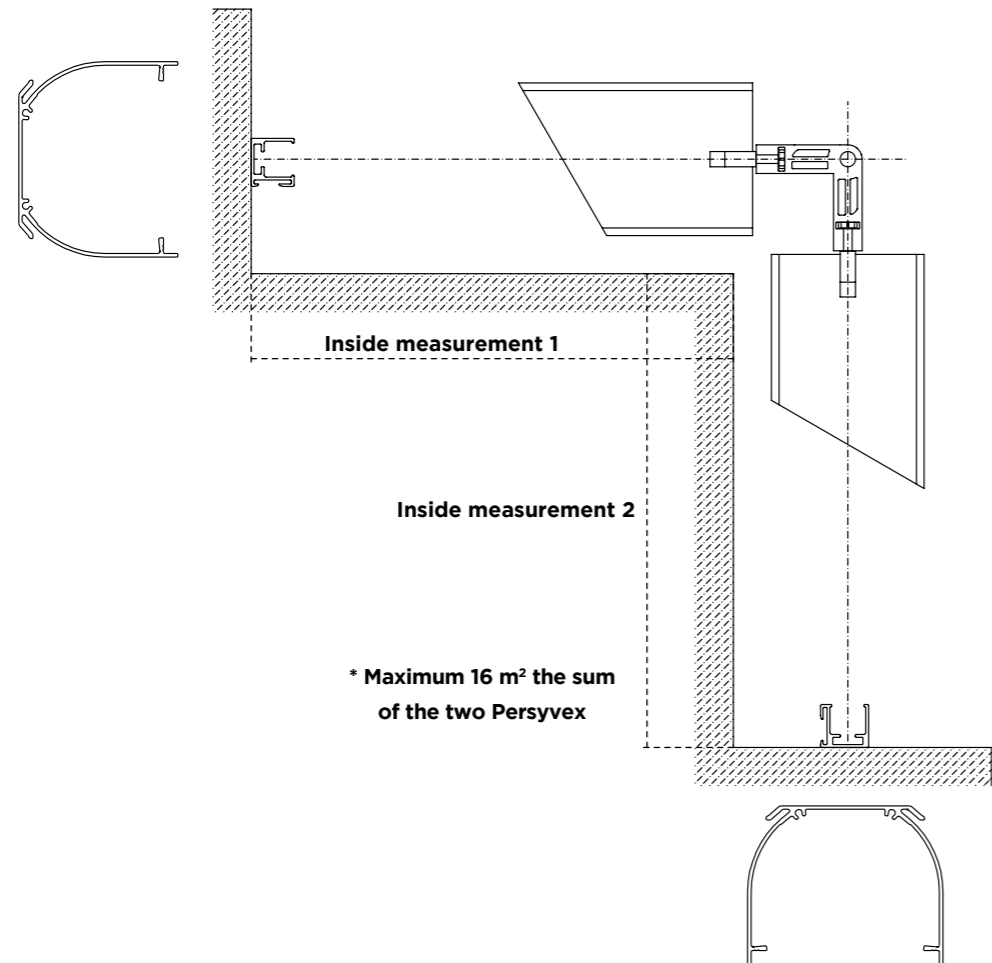
Square with tube 40x40 without covers

Z-90 Blackout

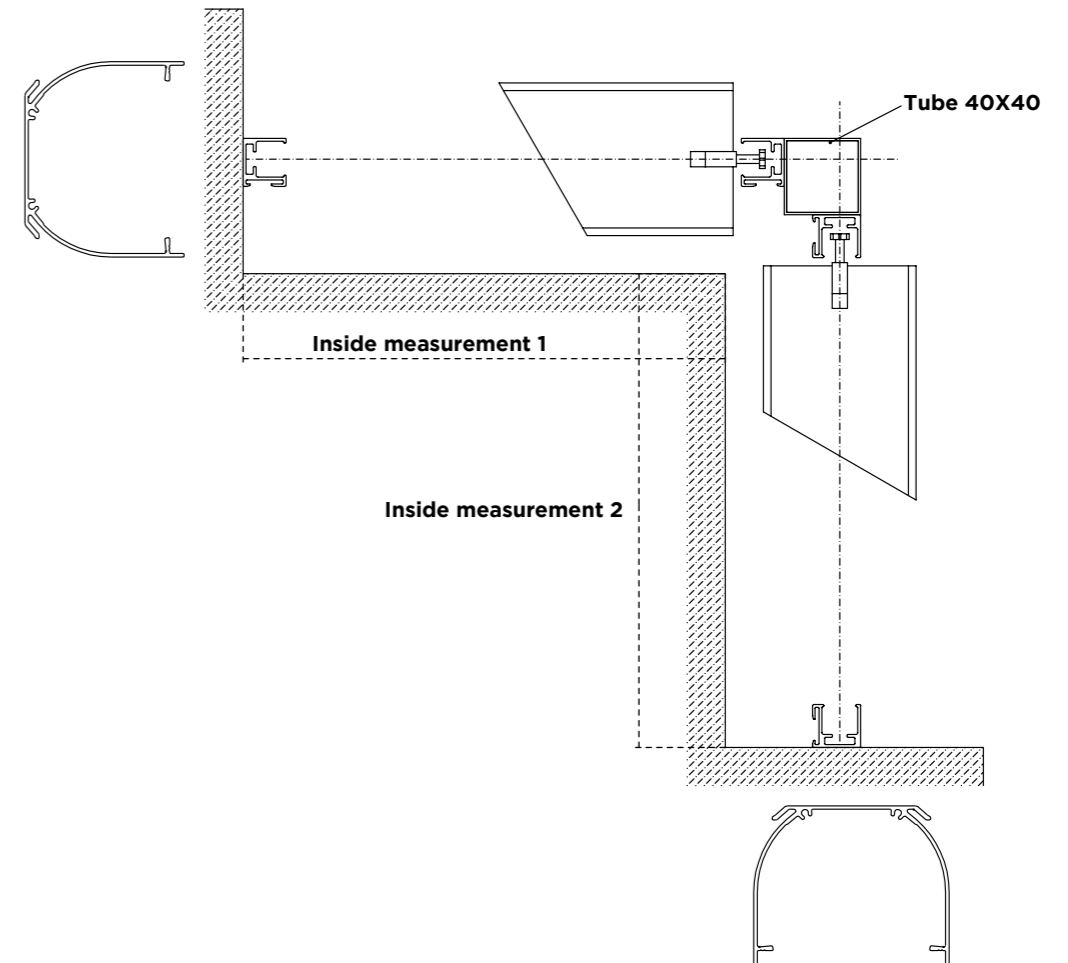


Square without covers

Z-70 / C-80



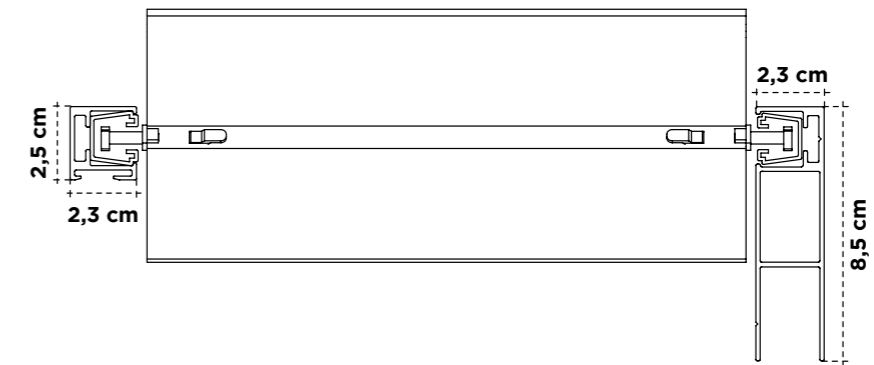
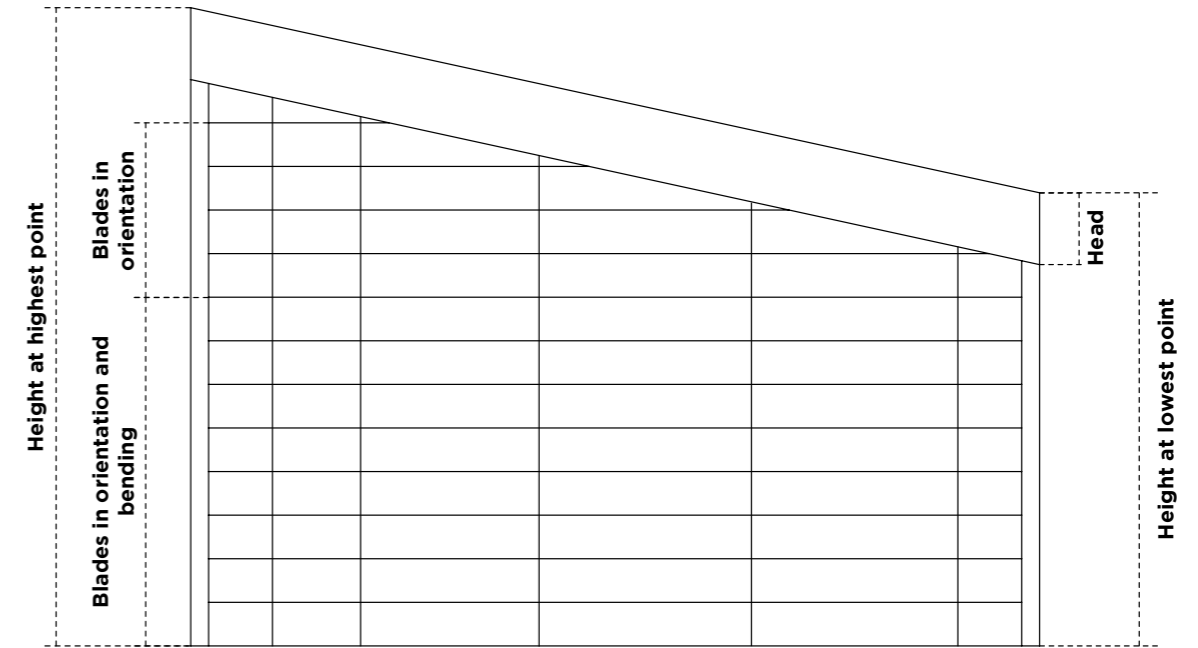
Z-90 / C-80



Adaptable to any space:

Persyvex continues to develop solutions to adapt to the needs of each client. We present the new asymmetrical Persyvex, available in both Z-70 and Z-90 blades.

A new format adaptable to any space regardless of the angles of the window. This way we can enjoy the benefits of persyvex in windows where it was not possible until now.



New tubular motor

Our new innovation allows Persyvex to operate with a tubular motor.

Thanks to this new system we are able to have larger maximum dimensions and a higher operating speed.

This motor also simplifies the search for accessories, as it is standard for roller shutters.



Persyvex now runs on solar energy!

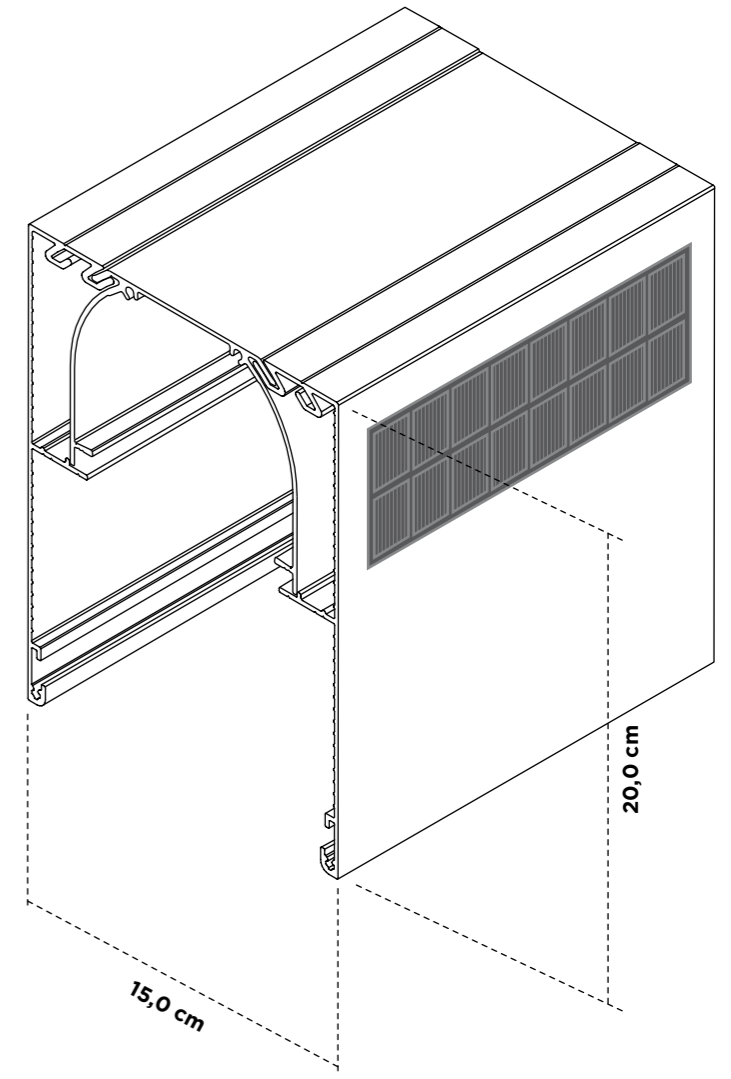
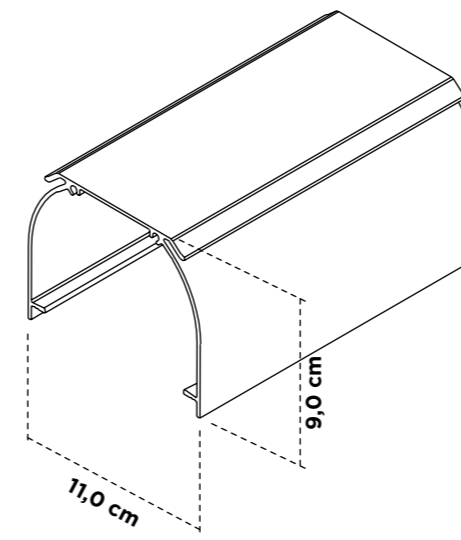
We use renewable energy for our products

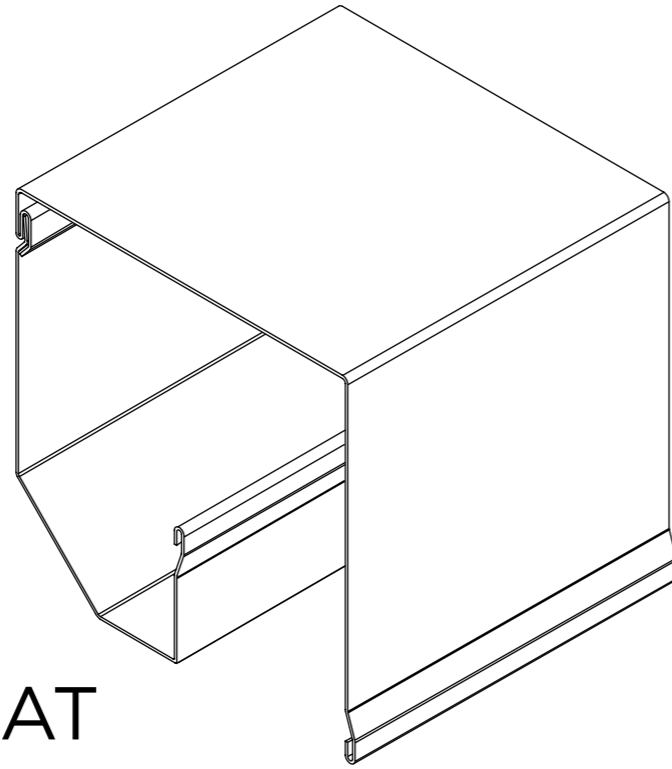
Persyvex embraces solar energy for its products, prioritizing renewable energies.

Our focus on solar-powered motors reflects our commitment to sustainable solutions. Believing that technology and sustainable development can coexist, we innovate at Persyvex for a cleaner and more sustainable future.



TUBULAR MOTOR





45° BOX

THE SOLUTION THAT OPTIMISES SPACE

Thanks to the 45° metal box, we have the option of adding a greater number of slats in a smaller folding space, due to the fact that the motor is displaced from the vertical of the slats, being able to take advantage of all the space up to the top of the box.

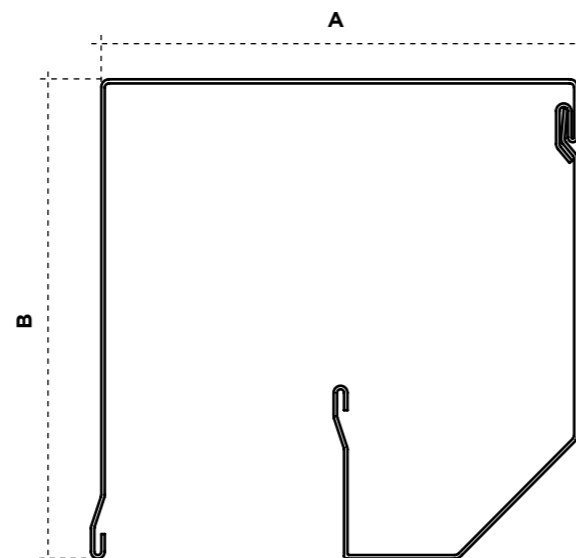
All this without leaving aside its aesthetic value thanks to a compact and minimalist design that accentuates the beauty of the entire product.

MEASUREMENTS (cm)

BOX	A	B
18,0	18,0	18,0
20,5	20,5	20,5

* 18 box only available with Z70 slat. Maximum total height for complete folding inside the box 170cm. In case of greater height, the rest of the slats would remain outside the box.

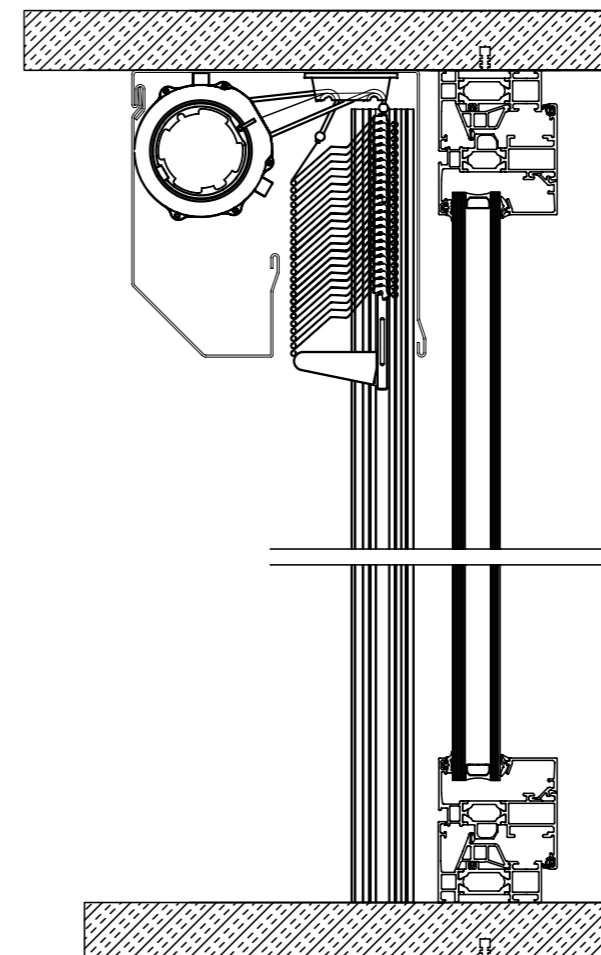
** 20.5 box valid for all slats. Recommended slat Z90. Maximum total height for complete folding of Z90 inside the box 260 cm. In case of greater height, the rest of the slats would remain outside the box.



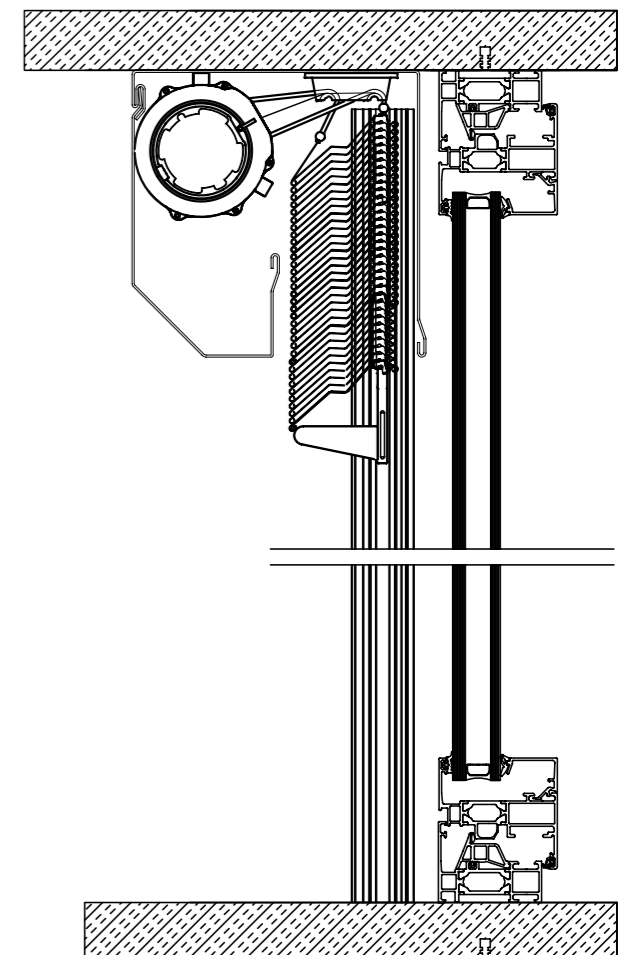
MINIMUM AND MAXIMUM DIMENSIONS (cm)

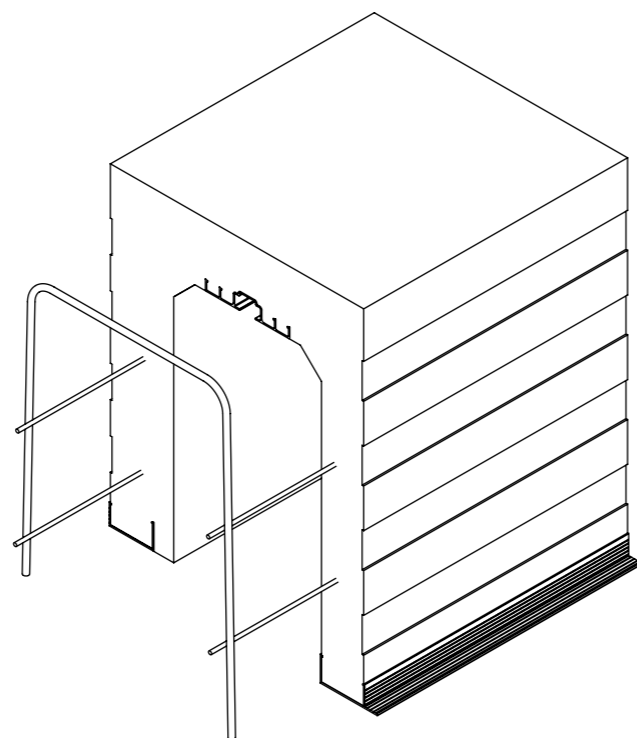
MOTOR	MINIMUM WIDTH	MAXIMUM WIDTH
SHORT MECHANICAL MOTOR	40	350
SOMFY MECHANICAL	75	
SOMFY IO RS100	66	
SOMFY RS 100 SOLAR	66	

Outdoor installation with slats inside the box



Exterior installation with exposed slats





TUNNEL BOX PROTECTION FOR YOUR EXTERNAL SUNSHADES

Roller shutter tunnel designed specifically for external sunshades.

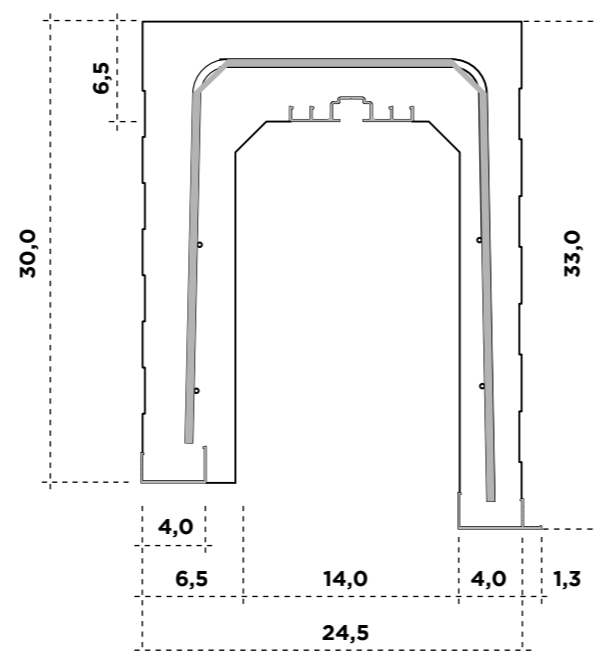
It shields your sunshades from weather elements, extending their lifespan.

It shields your sunshades from weather elements, extending their lifespan.

Choose our tunnel for shades to enhance and protect your outdoor space.

TECHNICAL CHARACTERISTICS

Thermal transmission	Acoustic insulation	Air permeability
$U = 0.597 \text{ W/m}^2\text{K}$	$D_{n,e,w}(C;Ctr)$ 51,8 (-1.8 -5.3)	C4



TaHoma® Switch

**Make the most of your home.
A world full of possibilities.**

Installing roller shutters, outdoor shades, terrace awnings, or motorized gates is the first step to making life at home more comfortable and convenient. By adding connectivity with the new smart control TaHoma® Switch, you can optimize the functionality of your living space.

Ref. : 1870595



Create your own routines and execute them with a simple touch.

TaHoma® Switch provides 2 customizable scene launch buttons to centralize the products of your smart home.

Customize each button with your devices to create scenes that adapt to your daily routines..



SOMFY IO System (Bidirectional)

SOMFY RTS System



NINA IO

A customizable remote with a touchscreen interface that enhances intuitive interaction, allowing your needs to guide you.

Ref:1805251

NINA TIMER
Ref:1811407

KIT SMOOVE UNO IO SHINE

Wireless wall control from the IO range. Features intuitive touch technology that seamlessly interacts with your home's closures.

Ref smooove: 1811003
Ref marco: 9015022

SOLIRIS 230V IO

Sensor designed to protect facades from sunlight and outdoor shades from wind. Incorporates io radio technology and is compatible with io motor technology.

Ref: 1870532

SITUO 1 VARIATION RTS PURE

A single-channel control point with functions for raising, lowering, stopping, and setting a favorite "MY" position. Features an IO range with a wheel orientation for precise and intuitive blade positioning.

Ref: 1811608

SITUO 5 VARIATION RTS PURE

A five-channel control point offering functions like raise, lower, stop, and favorite "MY" position. Features an IO range with a wheel orientation for precise and intuitive blade positioning. Manual selector option available.

Ref: 1811610

KIT SMOOVE UNO RTS SHINE

Wireless wall control from the RTS range with intuitive touch technology for seamless interaction with your home's closures.

Ref smooove: 1810881
Ref marco: 9015022



SITUO 1 VARIATION IO PURE

Single-channel control point. Functions include raise, lower, stop, and "MY" favorite position. IO range with a wheel orientation for precise and intuitive blade positioning.

Ref:1870365

SITUO 5 VARIATION A/M IO PURE

Five-channel control point. Functions include raise, lower, stop, and "MY" favorite position. IO range with a wheel orientation for precise and intuitive blade positioning. Manual selector option available.

Ref: 1870371

SUNIS WIREFREE IO

Wire-free sunlight sensor. Must be connected to the Sensor Box IO automation system. Monitors sunlight intensity (Lux) and allows shading adjustment with the Easy Sun IO remote.

Ref: 1818285

EOLIS RTS

Wind sensor with integrated RTS remote. Operates based on wind intensity, controlling one or multiple carrying products. Powered at 230 W with a 5-meter cable.

Ref: 1816067

SUNIS WIREFREE RTS

Self-sufficient sun sensor with a photovoltaic sensor. Automatically controls the opening and closing of the carrying product based on light intensity. Environmentally friendly, it operates without batteries, harnessing solar energy. Its discreet design (only 10 cm in diameter) allows for facade integration. Works in conjunction with Telis Soliris 1 and Telis Soliris 4 remotes. For safety reasons, it's recommended to use it with a wind sensor when integrated with outdoor shades.

Ref: 9013075

SOLIRIS RTS

Wind and sun sensor with an integrated RTS transmitter. Operates based on wind speed and sunlight intensity, controlling one or multiple carrying products. Powered at 230 W with a five-meter cable.

Ref: 1818211

The direct link between your home and your phone.

Choose contemporary comfort

We develop and manufacture a range of automations to propel the solar protection actuation sector into the era of home automation. Through continuous research and development, and by staying abreast of the latest technologies, we design systems capable of seamlessly and accurately integrating motors with household accessories. For home comfort that fully embodies modernity.

META SYSTEM:

A new motor concept, multiple opportunities

META is the multiprotocol ecosystem for intelligent sun protection.



AN ENABLING ECOSYSTEM

METAHome serves as a gateway designed with multi-standard capabilities. It is built on Cherubini CRC RX and Z-Wave radio protocols, while also being developed to manage Ocean or ZigBee.

METAHome stands as a versatile solution to establish an ecosystem capable of integrating devices across various protocols, offering easy management through its dedicated app or Google Home and Alexa assistants.



GIRO WALL

Wall transmitter. Single-channel transmitter designed for controlling a motor or a group of motors. Square and very slim design for wall mounting. Includes a completely removable wall bracket. The bracket fits into the universal flush-mounted box to cover any potential holes in the wall.



POP SERIES TRANSMITTERS

PRACTICAL WITH PERSONALITY

Wall mount with hidden screws. Easy-to-read white LED screen. Includes durable and easily replaceable AAA batteries.

PROGRAMMING

Option to hide unused channels.

POP

Single-channel transmitter designed to control a motor or a group of motors.

POP PLUS

Multichannel remote with 7 individual channels and a global 0 channel, enabling control of a motor or group of motors. Display only the channels in use on the screen.



POP

POP PLUS

A-OK CONNECTIVITY

For a More Convenient World

Set up a new universe of connections and control every aspect of a space using a remote, an app, and voice commands.



WI-FI TECHNOLOGY

The Most Significant Technological Revolution of Our Time

Our revolutionary Wi-Fi microchip system optimizes motorization, grouping and synchronizing by connecting directly, without a HUB, to smartphones.



TOUCH&ROLL

Its multichannel technology allows for easy control of groups and subgroups of motors from distances exceeding 120 meters. With its highquality battery, it boasts a lifespan of over two years.

Ideal for managing adjustable products such as Venetian blinds, roller shutters, vertical blinds, and more.



HELIOS SENSOR

Designed to detect variations in wind and light, it assesses meteorological changes and automates the opening and closing of blinds and awnings. This helps prevent accidents and extends the lifespan of the closure and sun protection systems.

The sun and wind sensors operate independently and can be used separately or together.



PREMIUM SERIES

With a range exceeding 120 meters and compatibility with the A-OK radio receiver and all radio motors, our transmitters stand as one of the most technologically advanced alternatives on the market. They offer various solutions to enhance quality of life. Available in black and white.



MAGNETIC WALL TRANSMITTER

Removable and installable on any surface thanks to its pre-installed screws and double-sided adhesive tape. It's removable with a magnetic holder for better attachment. Compatible with all A-OK receivers and control units and all radio motors. It has a range of over 120 meters. Available in black and white.



PERSYVEX

Persycom Madrid s.l.

C/ Forja, 1

Parque Ind. Cantueña

Tlf. 91.642.29.24

Fax 91.642.15.78

28946 - FUENLABRADA - MADRID

persycommadrid@persycom.com

www.persycom.com