



25/11/1999

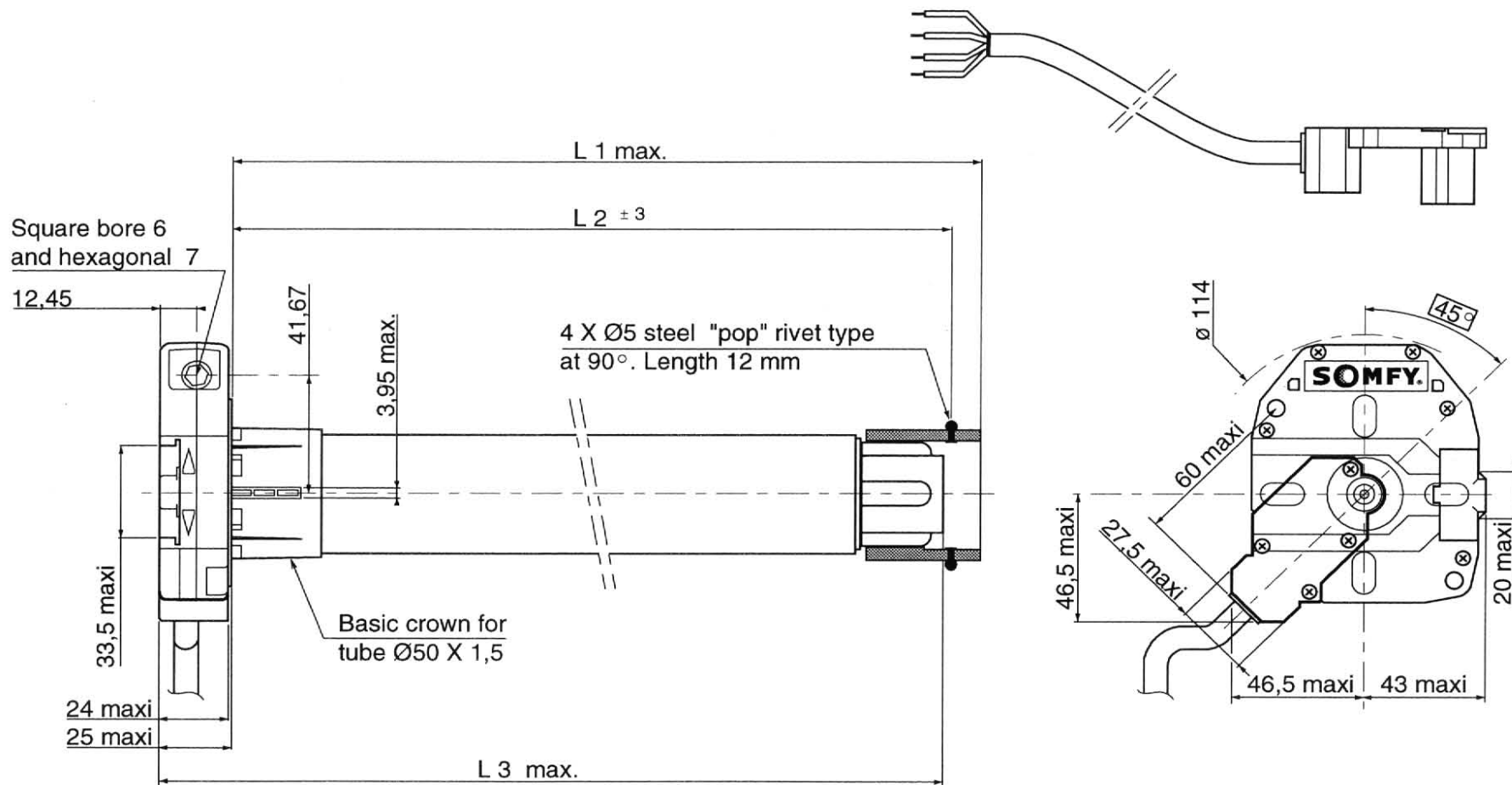
LT 50 CSI TECHNICAL DATA

DMKI - FPTE
RANGE 1
LT50CSIRange1R1

Nominal voltage	230 V - 50 Hz
Power supply tolerances	207 - 244V
Thermal time	4 minutes
Number of wires of the cable	4
Wire section	0,75 mm ²
Type of limit switch unit	Quick limit switch
Capacity of the LSU	34 turns
Repeatability	± 5°
System of protection	IP 44
Interface drawings	Wheel interface LT50 206821-Crown interface LT50 206822-CSI head interface drawing 206831 (no contactual)-CSI head interface drawing 206832 (contactual)-Interface drawing CSI buttons 206844.
Basic crown for tube Ø	50 x 1,5 mm
CSI gear ratio	1/27
Crank operation effort	10% of the motor's nominal torque
Temperature working range	Normal use : -10°C to +40°C Exceptional use (20% of the life time not continuous) : -25°C to + 70°C
Noise level	According to SOMFY measures (for information only).Worse value : in load up direction during 10 seconds.

Designation	Nm	rpm	reference	mm	mm	mm	mm	W	A	°C	Brake type	kg	dBa
	Nominal torque	Nominal speed		L1 max.	L2 (±3 mm)	L3 max.	tube	Rated power	Rated current	Thermal tripping		Weight	Noise
Ceres CSI	8	12	200904	544	529	557	490	90	0,4	140	sliding	2,34	46
	8	17	200905	544	529	557	490	90	0,45	140	sliding	2,64	47
Jet CSI	10	17	200907	544	529	557	490	120	0,5	140	sliding	2,44	47
Atlas CSI	15	12	200909	544	529	557	490	120	0,5	140	sliding	2,44	48
Meteor CSI	20	12	200912	594	579	607	540	140	0,65	150	sliding	2,61	48
	20	17	200913	594	579	607	540	160	0,75	150	sliding	2,76	53
Gemini CSI	25	17	200914	594	579	607	540	170	0,8	150	sliding	2,81	56
Helios CSI	30	12	200915	594	579	607	540	160	0,75	150	sliding	2,75	55
	30	17	200916	594	579	607	540	240	1,1	150	sliding	3,09	55
Apollo CSI	35	17	200918	594	579	607	540	240	1,1	150	sliding	3,09	56
Mariner CSI	40	12	200919	594	579	607	540	240	1,1	150	sliding	3,09	55
	40	17	200920	664	649	677	610	270	1,2	140	coil brake	3,38	57
Vectran CSI	45	12	200921	594	579	607	540	240	1,1	150	sliding	3,09	57
	50	12	200922	594	579	607	540	240	1,1	150	sliding	3,09	57

WIRING	Neutral	Blue
	White button	Brown
	Yellow button	Black
	Earth	Green / Yellow



Visa :	BEM <i>[Signature]</i>	Quality <i>[Signature]</i>	MKI <i>[Signature]</i>
--------	------------------------	----------------------------	------------------------